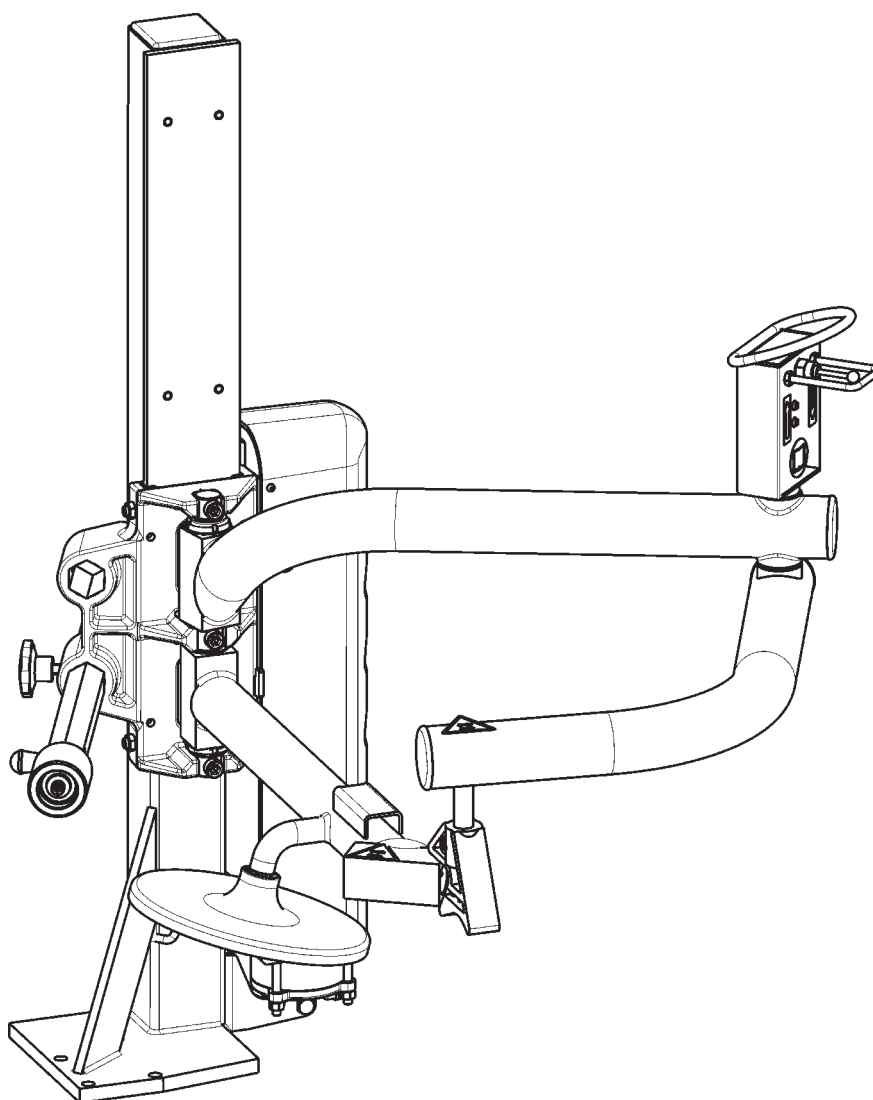

SPARE PARTS LIST



Pneumatic bead-pressing Device

PN : TEAA0329G33A3
Rel. : F Jan 2007

MH 310/320PRO

- **All'ordine specificare:** tipo macchina e matricola, codice e quantità del particolare.
- **On order specify:** type of machine and serial number item code and quantity.
- **Bei Auftragserteilung anzugeben:** Maschinentype, Serinnummer, Artikel-Code, Menge.
- **A la commande:** bien préciser le type de la machine, le n° de serie, la référence de pièce, la quantité.
- **En cada pedido hay que especificar:** el tipo de màquina y su número de matrícula, el número de código de la pieza requerida y su cantidad.
- **Na encomenda especifique:** tipo da máquina e número de série, código do item e quantidade.
- **Specificeer op een order:** machine type en serienummer, artikelnummer en aantal.
- **Vid order specificisera:** Maskin typ och serie nr reservdels nr ochantal.



186-f-Jan-07

QUESTA PARTE É AD USO ESCLUSIVO DEL PERSONALE QUALIFICATO ED AUTORIZZATO ALLA MANUTENZIONE ED ASSISTENZA.

THIS PART IS FOR EXCLUSIVE USE OF QUALIFIED PERSONNEL FOR MAINTENANCE AND SERVICE PURPOSES.

DIESER ABSCHNITT IST AUSSCHLIESSLICH DEM WARTUNGSFACH-UND KUNDENDIENSTPERSONAL VORBEHALTEN

CETTE PARTIE EST RESERVEE AU PERSONNEL QUALIFIE ET AUTORISE A LA MAINTENANCE ET AU SERVICE APRES-VENTE.

ESTA PARTE ES PARA USO EXCLUSIVO DEL PERSONAL CALIFICADO Y AUTORIZADO PARA EL MANTENIMIENTO Y LA ASISTENCIA.

TÄMÄ OSA ON TARKOITETTU AINOASTAAN VALTUUTETUN HUOLTOHENKILÖSTÖN KÄYTTÖÖN HUOLTOTARKOITUKSIIN

ESTA PARTE ES PARA USO EXCLUSIVO POR PESSOAL ESPECIALIZADO ED AUTORIZADO A LA MANUTENÇÃO

DIT GEDEELTE IS ALLEEN BESTEMD VOOR BEVOEGDE PERSONEN VOOR ONDERHOUD EN SERVICE DOELEINDEN

DENNE DEL ER BEREGNET TIL BRUK FOR KVALIFISERT PERSONALE FOR VEDLIKEHOLD OG SERVICE

DENNE DEL ER KUN BEREGNET TIL BRUG FOR FAGLÆRTE OG FOLK SOM ER KVALIFICERET OG AUTORISERET TIL VEDLIGEHODELSE OG SERVICE

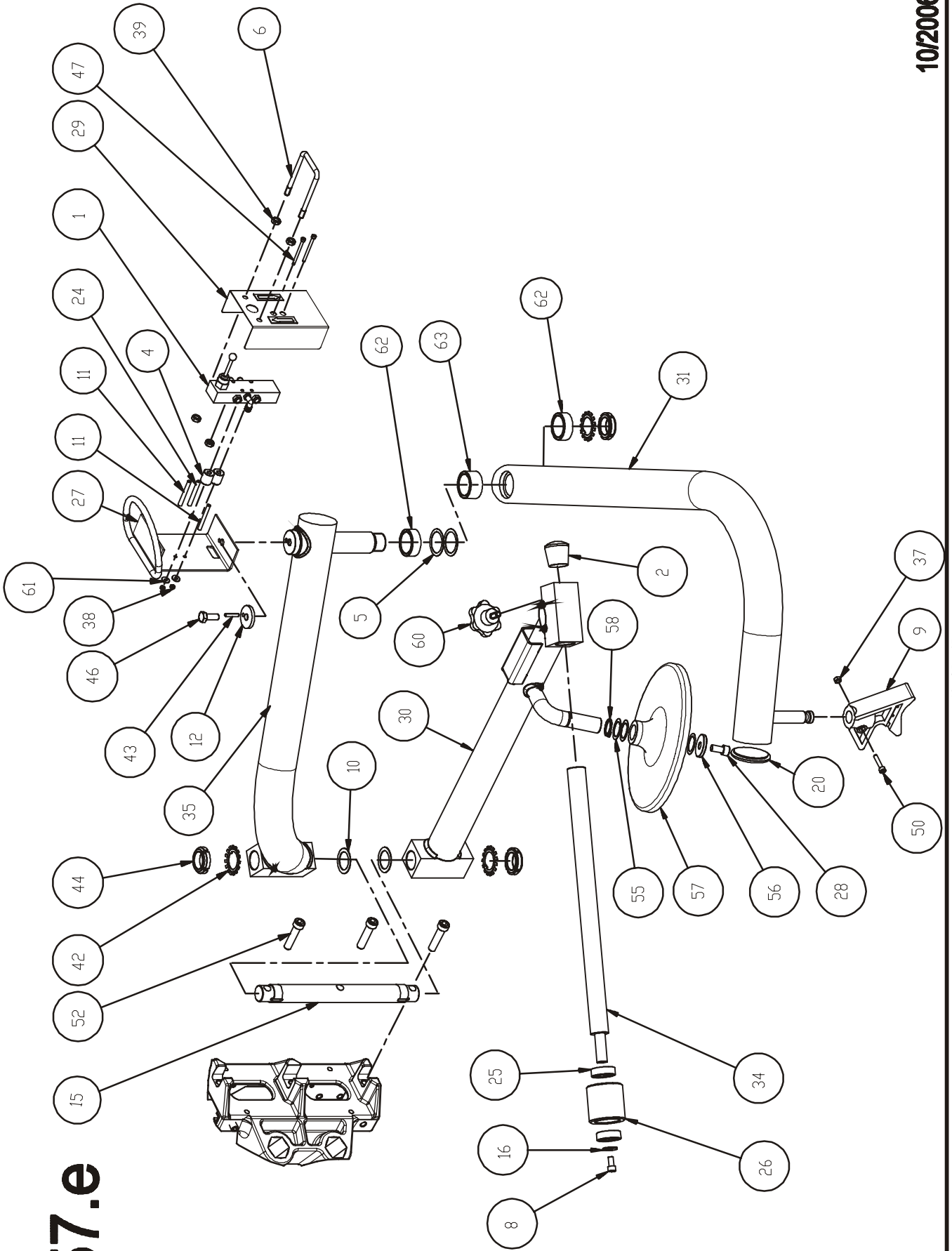
DENNA DEL ÄR ENBART TILL FÖR UTBILDAD PERSONAL VID UNDERHÅLLS- OCH SERVICEARBETEN

AYTO TO MEPOS EINAI GIA THN APOKΛEICTIKH XPHSH EK MEPOYΣ EEOYCIOΛOΘHMENOY IKANOY ΠPOCΩΠIKOY ΓIA EPΓACIEC CYNTHPHEC KAI EΠICKEYH

Note:

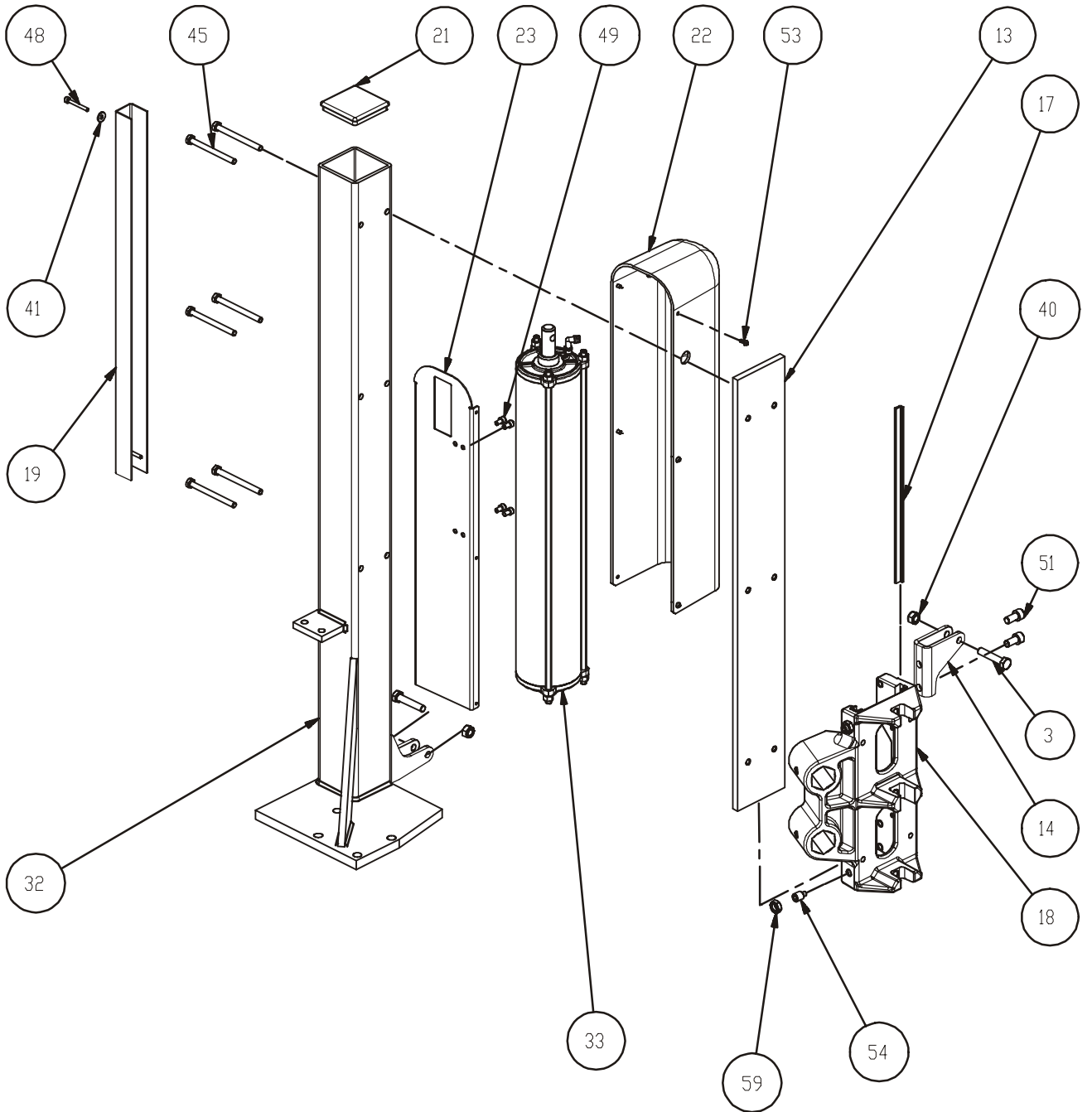
- **BOLD TYPE IN THE LIST MEANS PARTS AVAILABLE ON STOCK -**

1457.e



1458.c

186-f-Jan-07



MH 310

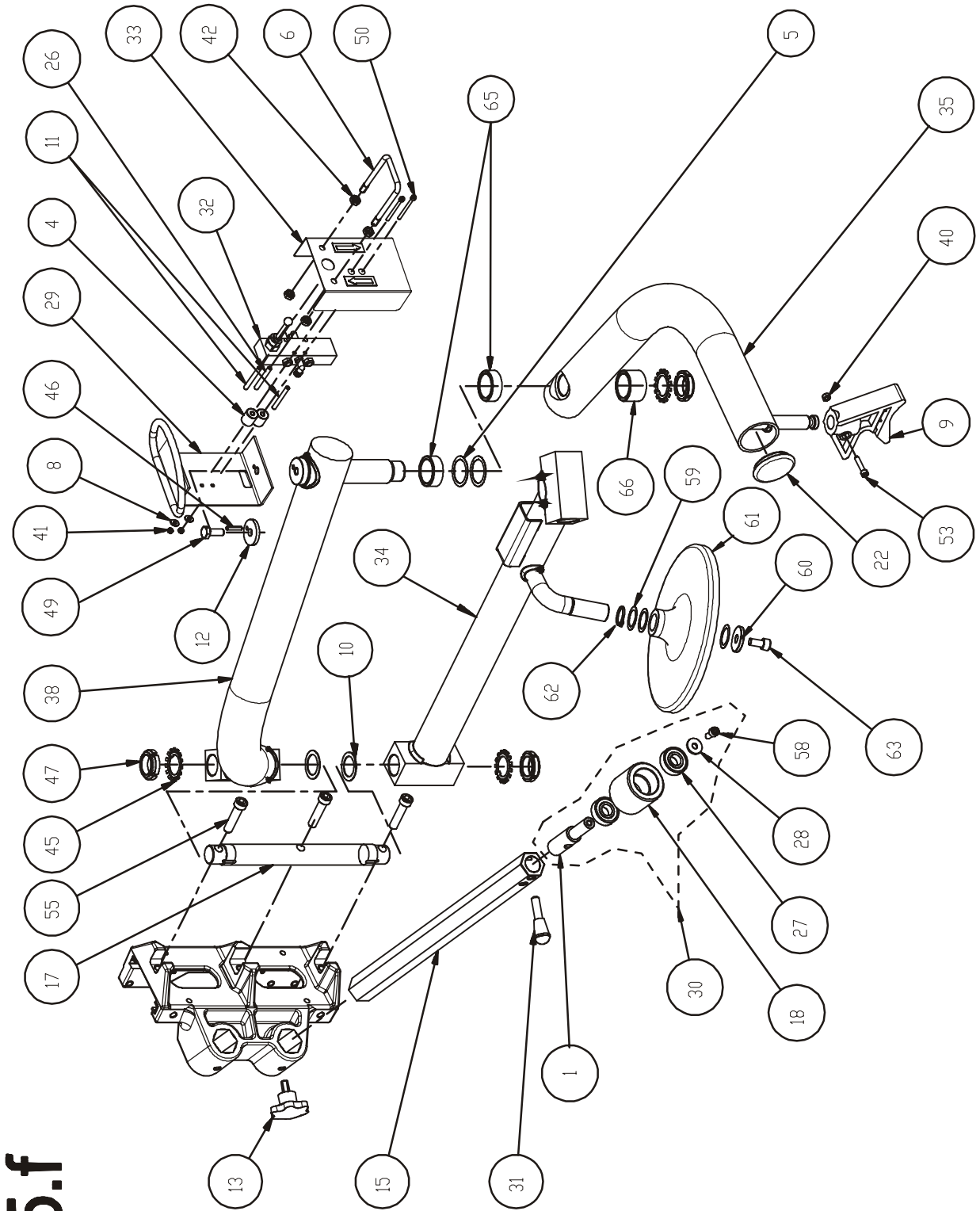
SYM	PART N°.	DESCRIPTION	Qty
1	EAA0328G73A	VALVE, CONTROLS	1
2	8-11518A	PLUG, RUBBER	1
3	EAM0043G00A	CYLINDER FITTING SCREW	2
4	EAM0032G93A	ANTIROTATION BUSHING	2
5	1-23341A	SPACER RING 35X45X0,5	2
6	EAM0032G97A	PROTECTION BAR	1
8	1-17609	SCREW, 8X16 8.08 BLK	1
9	EAC0078G21A	BEAD PUSHER TOOL	1
10	EAM0032G95A	WASHER 30.2X42X1	2
11	EAH0049G09A	AIR FEXIBLE HOSE 6X4 BLACK L.2780	2
12	EAM0043G04A	WASHER BOX FIXING	1
13	EAM0032G76A	PLATE FOR CARRIAGE SLIDING	1
14	EAS2068G37A	UPPER BRACKET FOR CYLINDER	1
15	EAM0032G79A	PIN, ARMS SUPPORT	1
16	1-17841	WASHER, ZINC d8x24	1
17	EAC0078G14A	SLIDE FOR CARRIAGE	4
18	EAC0078G16A	CARRIAGE, ARMS BRINGING PAINTED	1
19	EAS2068G39A	SHEET, HOSES PROTECTION BLACK	1
20	8-10918A	BUMPER, FEET&SHOCK MOUNT D.60	1
21	8-10818A	BUMPER, FEET&SHOCK MOUNT 80X80X5	1
22	EAC0078G25A	COVER BEAD PUSHER CYLINDER	1
23	EAS2068G55A	SHEET, CYLINDER COVER BLACK PAINT	1
24	EAH0049H08A	AIR FEXIBLE HOSE 6X4 BLACK L.3400	1
25	1-04263A	BEARING BALL SINGLE ROW	2
26	EAM0032G96A	ROLLER	1
27	EAS2068G52A	CONTROLS SUPPORT BLACK PAINTED	1
28	1-19009A	SCREW 10X20 8.8 BLK UNI5931-67	1
29	EAS2068G50A	SHEET, CONTROL BOX BLACK PAINT.	1
30	EAS2089G87A	ARM, BEAD BREACKER DISC, PAINTED	1
31	EAS2090G61A	ARM, BEAD PUSHER DISC FOR SWING PAINTED	1
32	EAS2068G47A	COLUMN MH BLACK PAINTED	1
33	EAA0304G91A	CYLINDER, BEAD PUSHER	1
34	EAM0046G42A	ROD, ROLLER BRINGING	1
35	EAA0338G00A	ARM WITH PIN	1
37	1-11633A	NUT-HEX. M6 6S	1
38	1-11233	NUT - M3 WHITE ZINCKED UNI5588-ISO4032	2
39	1-15933A	NUT M8 DIN 936 - UNI 5589	4
40	1-10133	NUT -S.LOCK,LOW M10	2
41	1-19041A	WASHER 5X16X1	2
42	1-04148A	LOCKWASHER EXTERNAL TOOTH (M30)	3
43	1-8152	SPLIT PIN 5X26 DIN 1481	1
44	1-01738A	RING NUT M30X1.5	3
45	1-48401A	SCREW 8X90 8.8 BLK UNI5931-65	6
46	1-34401A	SCREW, 10X25 8.8 BLK UNI5739-65	1
47	1-51009A	SCREW, HEX SOCKET, 3X50 BLK	2
48	1-15209	SCREW HEX SOCKET HEAD CUP 5X40 8G	2
49	7204149	SCREW, SCREW,HEX SOCKET HEAD M6X10	4
50	1-16609A	SCREW,HEX SOCKET HEAD M6X30	1
51	1-19009A	SCREW 10X20 8.8 BLK UNI5931-67	2
52	1-20709A	SCREW, 12X50 8.8 BLK UNI 5931-67	3
53	1-20423	SCREW, CYL. CROWN HEAD, SELF TAP	6
54	1-34110A	SET SCREW 10X20 12K UNI5925-67	2
55	EAM0032G63A	STEEL WASHER D.35X25 Th.0.3	3
56	EAM0032G02A	WASHER TOOL BLOCKAGE	1
57	EAC0078G23A	BEAD BREACKER DISC	1
58	1-6877	RETAINING RING FOR SHAFTS D.25	1
59	1-19633B	NUT- M10 6S BLK UNI5589-65	2

186-F-Jan-07

MH 310

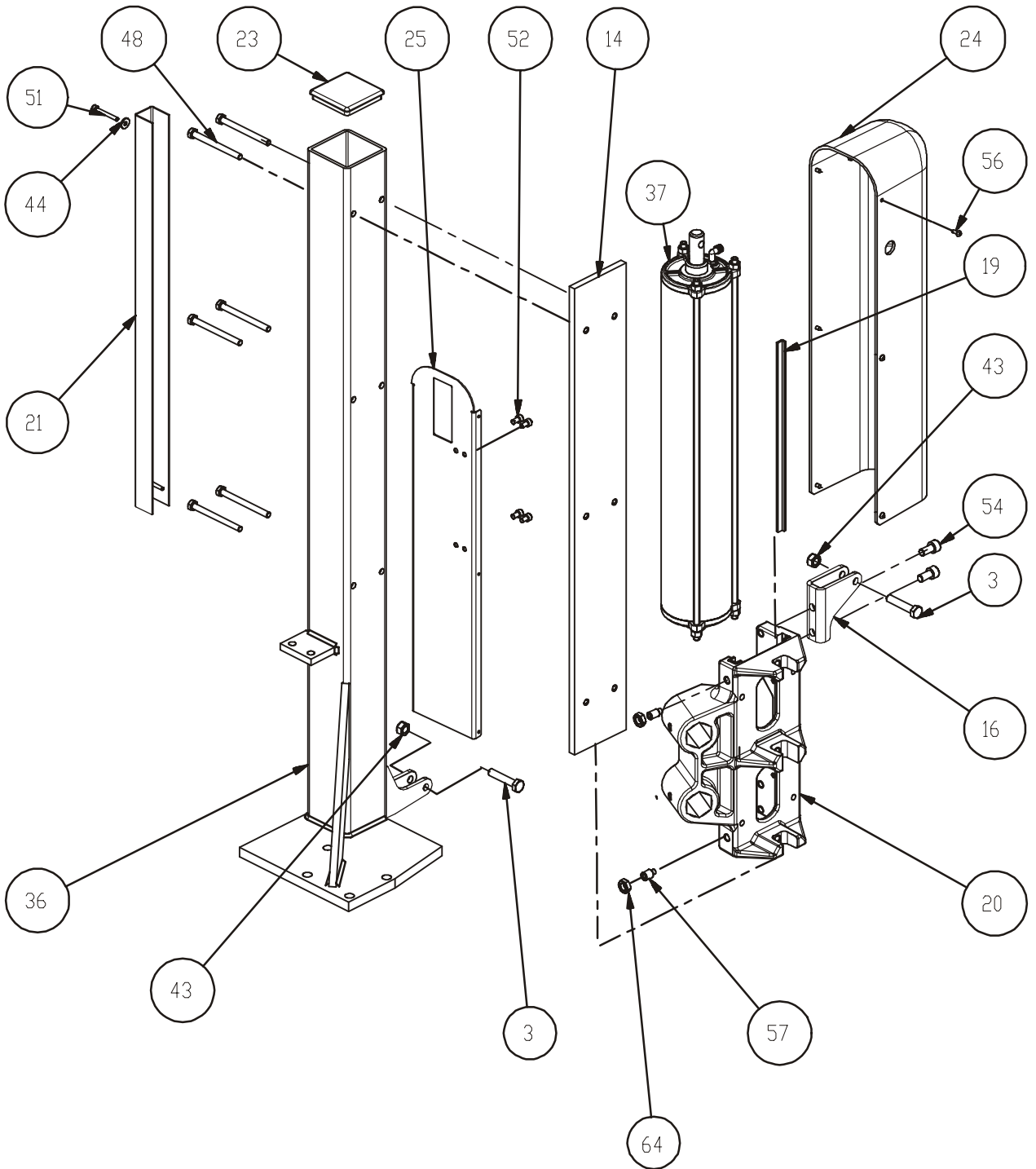
SYM	PART N°.	DESCRIPTION	Qty	
60	1-02212A	SCREW-WING THREAD M10 L.20mm	1	
61	1-9541	WASHER PLAIN D3 DIN 125A	2	
62	EAM0052G96A	SPACER PIN GUIDE 10mm	2	
63	EAM0052G97A	SPACER PIN GUIDE 25mm	1	

186-f-Jan-07



1455.f

1456.b



186-f-Jan-07

SYM	PART N°.	DESCRIPTION	Qty
1	EAM0046G41A	PIN, ROLLER BRINGING	1
3	EAM0043G00A	CYLINDER FITTING SCREW	2
4	EAM0032G93A	ANTIROTATION BUSHING	2
5	1-23341A	SPACER RING 35X45X0,5	2
6	EAM0032G97A	PROTECTION BAR	1
8	1-9541	WASHER PLAIN D3 DIN 125A	2
9	EAC0078G21A	BEAD PUSHER TOOL	1
10	EAM0032G95A	WASHER 30.2X42X1	2
11	EAH0049G09A	AIR FEXIBLE HOSE 6X4 BLACK L.2780	2
12	EAM0043G04A	WASHER BOX FIXING	1
13	1-02212A	SCREW-WING THREAD M10 L.20mm	1
14	EAM0032G76A	PLATE FOR CARRIAGE SLIDING	1
15	EAM0032G77A	HEXAGONAL ROD, ROLLER BRINGING	1
16	EAS2068G37A	UPPER BRACKET FOR CYLINDER	1
17	EAM0032G79A	PIN, ARMS SUPPORT	1
18	EAM0032G96A	ROLLER	1
19	EAC0078G14A	SLIDE FOR CARRIAGE	4
20	EAC0078G16A	CARRIAGE, ARMS BRINGING PAINTED	1
21	EAS2068G39A	SHEET, HOSES PROTECTION BLACK	1
22	8-10918A	BUMPER, FEET&SHOCK MOUNT D.60	1
23	8-10818A	BUMPER, FEET&SHOCK MOUNT 80X80X5	1
24	EAC0078G25A	COVER BEAD PUSHER CYLINDER	1
25	EAS2068G55A	SHEET, CYLINDER COVER BLACK PAINT	1
26	EAH0049H08A	AIR FEXIBLE HOSE 6X4 BLACK L.3400	1
27	1-04263A	BEARING BALL SINGLE ROW	2
28	1-17841	WASHER, ZINC d8x24	1
29	EAS2068G52A	CONTROLS SUPPORTO BLACK PAINTED	1
30	EAA0332G30A	MOUNTING - DEMOUNTING TOOL	1
31	EAA0304G97A	POSITION - REGISTER PIN	1
32	EAA0328G73A	VALVE, CONTROLS	1
33	EAS2068G50A	SHEET, CONTROL BOX BLACK PAINT.	1
34	EAS2089G87A	ARM, BEAD BREACKER DISC, PAINTED	1
35	EAS2090G62A	ARM, BEAD PUSHER FOR TILT, PAINTED	1
36	EAS2068G47A	COLUMN MH BLACK PAINTED	1
37	EAA0304G91A	CYLINDER, BEAD PUSHER	1
38	EAA0338G00A	ARM WITH PIN	1
40	1-11633A	NUT-HEX. M6 6S	1
41	1-11233	NUT - M3 WHITE ZINCKED UNI5588-ISO4032	2
42	1-15933A	NUT M8 DIN 936 - UNI 5589	4
43	1-10133	NUT -S.LOCK,LOW M10	2
44	1-19041A	WASHER 5X16X1	2
45	1-04148A	LOCKWASHER EXTERNAL TOOTH (M30)	3
46	1-8152	SPLIT PIN 5X26 DIN 1481	1
47	1-01738A	RING NUT M30X1.5	3
48	1-48401A	SCREW 8X90 8.8 BLK UNI5931-65	6
49	1-34401A	SCREW, 10X25 8.8 BLK UNI5739-65	1
50	1-51009A	SCREW, HEX SOCKET, 3X50 BLK	2
51	1-15209	SCREW HEX SOCKET HEAD CUP 5X40 8G	2
52	7204149	SCREW, SCREW,HEX SOCKET HEAD M6X10	4
53	1-16609A	SCREW,HEX SOCKET HEAD M6X30	1
54	1-19009A	SCREW 10X20 8.8 BLK UNI5931-67	2
55	1-20709A	SCREW, 12X50 8.8 BLK UNI 5931-67	3
56	1-20423	SCREW, CYL. CROWN HEAD, SELF TAP	6
57	1-34110A	SET SCREW 10X20 12K UNI5925-67	2
58	1-17609	SCREW, 8X16 8.08 BLK	1
59	EAM0032G63A	D.35X25 Sp.0.3 STEEL WASHER D.35X25 Th.0.3	3

MH 320

SYM	PART N°.	DESCRIPTION	Qty
60	EAM0032G02A	WASHER TOOL BLOCKAGE	1
61	EAC0078G23A	BEAD BREAKER DISC	1
62	1-6877	RETAINING RING FOR SHAFTS D.25	1
63	1-19009A	SCREW 10X20 8.8 BLK UNI5931-67	1
64	1-19633B	NUT- M10 6S BLK UNI5589-65	2
65	EAM0052G96A	SPACER PIN GUIDE 10mm	2
66	EAM0052G97A	SPACER PIN GUIDE 25mm	1

186-f-Jan-07

IT DICHIARAZIONE CE DI CONFORMITÀ
ES DECLARACION CE DE CONFORMIDAD
PT CE DECLARAÇÃO DE CONFORMIDADE
EN EC DECLARATION OF CONFORMITY
FR DECLARATION DE CONFORMITE AUX NORMES CE
DE CE KONFORMITÄTSERKLÄRUNG
NL CE CONFORMITEITSVERKLARING
SV FÖRSÄKRAN OM CE-ÖVERENSSTÄMMELSE
DA I OVERENSSTEMMELSE MED EC DEKLARATIONEN
FI CE-YHDENMUKAISUUSVAKUUTUS
EL ΑÇĒÛÓÇ ÓÕÏÏÏÑÖÛÓÇ CE

NOI >
 NOSOTROS >
 NÓS >
 WE >
 NOUS >
 WIR >

Snap-on Equipment Srl
Via Provinciale per Carpi, 33
42015 Correggio (RE) Italy

< WIJ
 < VI
 < VI
 < ME
 < ΑÏΑÉÓ

186-f-Jan-07

Dichiariamo sotto la nostra responsabilità che il prodotto:

Declaramos sobre la nuestra responsabilidad que el producto:

Declaramos sob nossa responsabilidade que o modelo:

We declare that under our responsibility for supply/manufacture of the product:

Déclarons sous notre responsabilité que l'appareil:

Erklären unter unserer Verantwortung, da das produkt:

Wij verklaren dat onder onze verantwoordelijkheid de geproduceerde en geleverde producten:

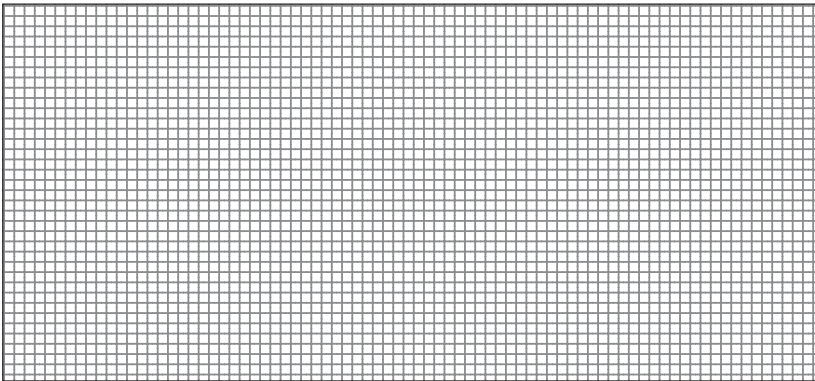
Försäkrar under eget ansvar att produkten:

Vi vedgår os ansvaret for fremstilling levering af produkten:

Vakuutamme ottaen täyden vastuun, että tuote:

ΑçĒπÏÏÏά ððáγĕðÏá ũðé ðÏ ðñÏũũÏ:

Modello >
 Modelo >
 Modelo >
 Model >
 Modèle >
 Model >



< Serienummer
 < Serienummer
 < Serie NR.
 < Sarjanumero
 < ΑñĕĕÏÛò óáĕñÛò

Matricola >
 Matricula >
 Número di série >
 Serial number >
 Numéro de série >
 Seriennummer >

< Model
 < Modell
 < Model
 < Malli
 < ÏÏÏóÿĕÏ

al quale questa dichiarazione si riferisce è conforme alle seguenti norme o ad altri documenti normativi.
 lo que esta declaración se refiere es conforme a las siguientes normas o a otros documentos normativos.
 ad qual esta declaração se refere em conformidade com os seguintes standards e outros documentos normativos.
 to which this declaration relates is in conformity with the following standards and other normative documents.
 dont cette déclaration se réfère, est aux normes selon les standards suivants et selon autres documentations normatives.
 auf das sich die vorliegende Erklärung bezieht, folgenden Normen oder anderen Normunterlagen.
 Op welke deze verklaring van toepassing is conform de volgende standaards en andere normdocumenten.
 som omfattas av denna försäkran, är i överensstämmelse med följande standarder eller andra lagtexter.
 som denne bekendtgørelse relaterer til, og er i overensstemmelse med gældende standarder.
 johon tämä vakuutus viittaa, on seuraavien ja muiden aihekohtaisten standardien mukainen
 ἡ ἐὰν οἱ ἰδιῶσι ἀνάσσει ἡ ἀρετὴ ἀδὸς ἀβία ἐὶ οὐκ ἴσθι ἀεὶ οὐδὲ ἴσθι ἡ ἀρετὴ ἀδὸς ἀβία ἐὶ οὐκ ἴσθι ἡ ἀρετὴ ἀδὸς ἀβία ἐὶ οὐκ ἴσθι

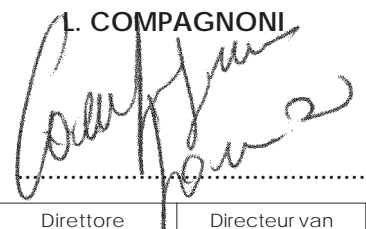
EN 292.1
EN 292.2
EN 60204
EN 50081-1
EN 50082-2

in base a quanto previsto dalla Direttiva
 en base a cuanto previsto de la Directiva
 segundo as normas da Directiva
 following the provisions of Directive
 selon les normes prévues par la Directive
 gemäß der Richtlinie
 overeenkomstig de doelstellingen van de richtlijn
 i enlighet med kraven i följande direktiv
 Og direktiver
 seuraavan direktiivin vaatimusten mukaisesti
 ἡ ἀρετὴ ἀδὸς ἀβία ἐὶ οὐκ ἴσθι ἡ ἀρετὴ ἀδὸς ἀβία ἐὶ οὐκ ἴσθι ἡ ἀρετὴ ἀδὸς ἀβία ἐὶ οὐκ ἴσθι

89/392/CEE
91/368/CEE
93/44/CEE
93/68/CEE
73/23/CEE
89/336/CEE

186-F-Jan-07

Correggio:

L. COMPAGNONI


Direttore Operativo	Directeur van verrichtingen
Director Operacional	Direktör operationsen
Director Operações	Direktor operationer
Director Operations	Elokuvaohjaaja käyttö
Directeur de Opérations	ἡ ἀρετὴ ἀδὸς ἀβία ἐὶ οὐκ ἴσθι ἡ ἀρετὴ ἀδὸς ἀβία ἐὶ οὐκ ἴσθι
Direktor Betriebe	

Il modello della presente dichiarazione è conforme a quanto previsto nella Norma EN 45014 ref: EN 45014 (BS 7514)
 El modelo de esta declaración es conforme a cuanto previsto en la Norma EN 45014 ref: EN 45014 (BS 7514)
 O modelo da declaração está conforme as Normas da EN 45014 ref: EN 45014 (BS 7514)
 The model of the declaration is conform to the provisions of EN 45014 ref: EN 45014 (BS 7514)
 Le modèle de la présente déclaration est conforme à la Norme EN 45014 ref: EN 45014 (BS 7514)
 Dieses Erklärungsformular entspricht den Anforderungen der Norm EN 45014 (BS 7514)
 De uitvoering van deze declaratie is conform de richtlijnen van EN 45017 Ref: EN 45017 (BS 7514)
 Denna blankett uppfyller kraven i EN 45014 ref. EN 45014 (BS 7514)
 Denne bekendtgørelse er i overensstemmelse med bekendtgørelse EN 45015 (BS 7514)
 Vakuutusmalli on standardin EN 45014 viite: EN 45014 (BS 7514) mukainen
 ἡ ἀρετὴ ἀδὸς ἀβία ἐὶ οὐκ ἴσθι ἡ ἀρετὴ ἀδὸς ἀβία ἐὶ οὐκ ἴσθι ἡ ἀρετὴ ἀδὸς ἀβία ἐὶ οὐκ ἴσθι EN 45014 ref: EN 45014 (BS 7514)

186-f-Jan-07

MODIFIED / CHANGED PARTS Regarding Revision F of January 2007

Updated tables from this revision:

Replaced	1457.d	1455.e
Added	1457.e	1455.f
Affected by PCN:	06G0140	06G0140

MODIFIED / CHANGED PARTS Regarding Revision E+E1 of May 2006

Updated tables from this revision:

Replaced	1458.b	1455.d	1456.a
Added	1458.c	1455.e	1456.b
No PCN regards present revision. Previous error corrections only has been done.			

MODIFIED / CHANGED PARTS Regarding Revision D of March 2006

Updated tables from this revision:

Replaced	1457.c	1455.c
Added	1457.d	1455.d
Affected by PCN:	06G0011	06G0011

MODIFIED / CHANGED PARTS Regarding Revision C of July 2005

Updated tables from this revision:

1457.b	1455.b
1457.c	1455.c

MODIFIED / CHANGED PARTS Regarding Revision B of May 2005

Updated tables from this revision:

1457.a	1458.a	1455.a
1457.b	1458.b	1455.b

Manufacturer reserves the right of modification without notice.

Snap-on Equipment

Snap-on Equipment Srl a unico socio

Via Provinciale per Carpi, 33
42015 CORREGGIO (RE) ITALY
Tel. +39-(0)522-733489 Fax +39-(0)522-733610
E-mail: corrcs@snapon.com
Internet: <http://www.gsboxer.com>

SOE Digital Code: SP_MH310-320-PRO_01-07_TEAA0329G33A3_RF

MH 310/320PRO

P/N : TEAA0329G33A3
Jan 2007 Rel.F